

YASKAWA

MOTOMAN MPP3S

Handling, Picken & Verpacken mit dem MPP3S

The MOTOMAN MPP3S 4-axis high-speed robot with parallel kinematic system combines the speed of the delta design with a high payload capacity and a large working range. Due to the high torque of the fourth axis, the so-called wrist axis, the MOTOMAN

MPP3S moves payloads of up to 3 kg at unprecedented speeds. This delta robot was developed for a wide spectrum of industries, such as food and beverage, pharmaceutical and the automotive sector.

The MPP3S is driven by YASKAWA's compact FS100 controller and is available with advanced technologies such as MotoSight, MotoPick and conveyor tracking.



KEY BENEFITS

- ISO class 5 (ISO 14644-1), clean room rated
- Protection classification IP67
- Payloads with unprecedented speed:
 - 150 cycles per minute with 3 kg payload
 - 185 cycles per minute with 1 kg payload
- Total stroke of 300 mm with a working range of 800 mm
- High-precision, high-speed conveyor tracking
- Maximum machine accuracy
- Compact installation space: 684 mm diameter



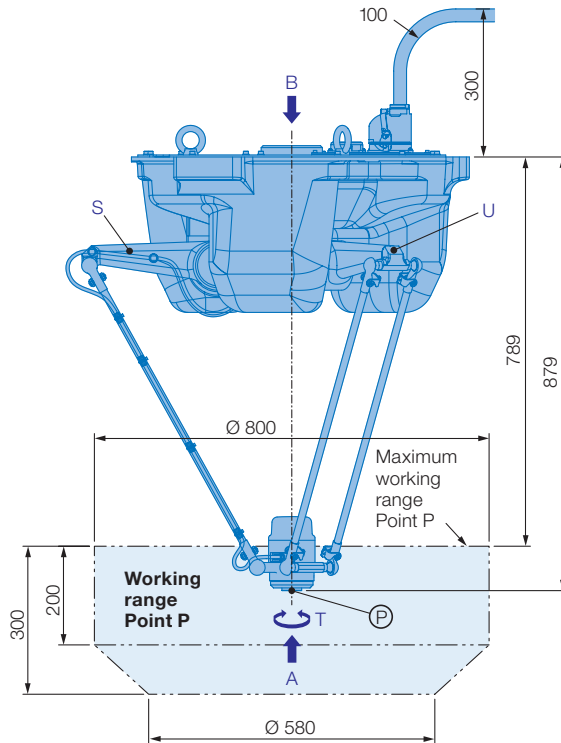
Fraunhofer

TESTED[®]
DEVICE

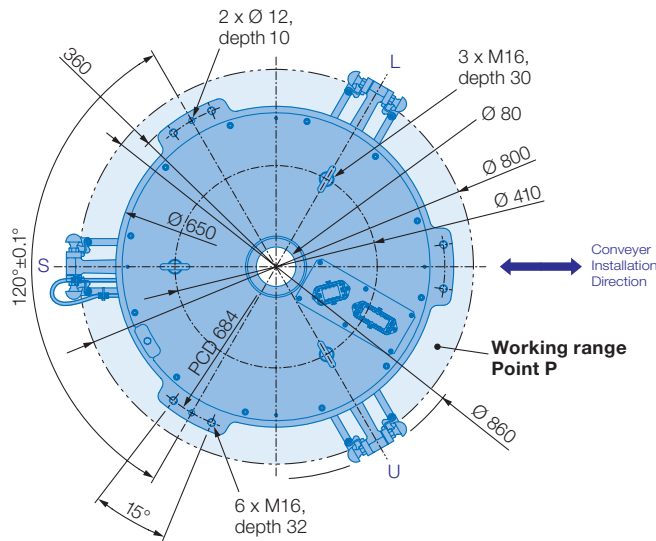
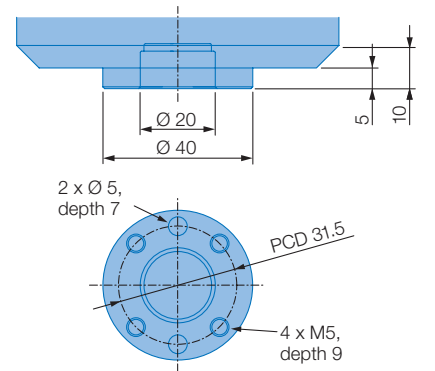
Yaskawa Europe GmbH
MOTOMAN robot MPP3s
Report No. YA 1312-680

Controlled by
FS100

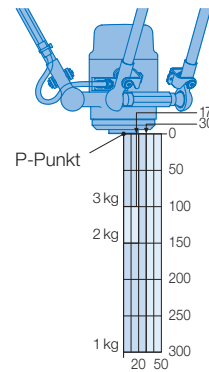
MOTOMAN MPP3S



View A



Allowable wrist load



All dimensions in mm | Technical data may be subject to change without previous notice | For planning Multi-Robot-Systems please refer to your YASKAWA sales contact | Please request detailed drawings at robotics@yaskawa.eu - YR-MPP0003S-A00, C-06-2015, A-No. 166332



Specifications MPP3S

Pattern	Payload [kg]	CPM*	Payload [kg]	CPM*	Specifications MPP3S	
					Controlled axes	4
25-305-25	1	230	3	170	Max. payload [kg]	3
300-400-100	1	100	3	80	Repeat. pos. accuracy [mm]	±0.1
70-700-70	1	130	3	95	Repet. rotational accuracy of T-axis [arc x min -1]	±1
					Max. working range R [mm]	800
					Temperature [°C]	0 to +40
					Humidity [%]	20 - 80
					Weight [kg]	95
					Power supply, average [KVA]	1.5
					IP class	IP67
					IPA cleanroom class	5

* Cycle time without picking time and product.
** Values determined under test conditions, differences possible depending on application.

YASKAWA

robotics@yaskawa.eu
www.yaskawa.eu

YASKAWA Headquarters

YASKAWA Europe GmbH · Robotics Division
Yaskawastraße 1 · D-85391 Allershausen
Tel. +49 (0) 8166/90-0 · Fax +49 (0) 8166/90-103

YASKAWA academy and sales office Frankfurt

YASKAWA Europe GmbH · Robotics Division
Hauptstraße 185 · D-65760 Eschborn
Tel. +49 (0) 6196/77725-0 · Fax +49 (0) 6196/77725-39